

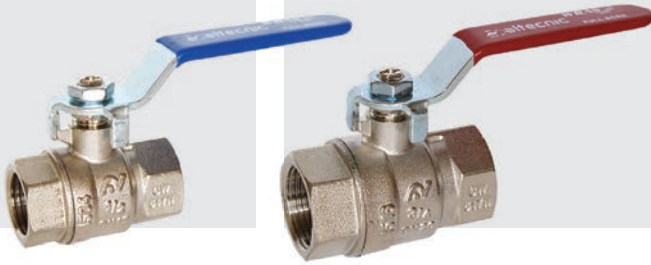
# AI-171 intaball

lever ball valve



altecnic

# AI-171 intaball lever ball valve - threaded ends



## Application

The Altecnic Intaball lever ball valve with threaded ends is the ideal isolation valve, for use in steel pipe systems and with threaded adaptors for a variety of other pipe materials.

Suitable for isolating individual outlets, or providing isolation for 'Y' strainers or control valves, should maintenance be required.

In larger systems they can provide isolation on heating, the primary side of HWS and cold water services and many industrial applications including air and non corrosive liquids.

## Design

The Intaball full bore brass ball valves are lever operated through 90°, with bi-directional flow.

Hard chrome plated ball for increased wear resistance.

Compact design, with PTFE body seats for reliable isolation.

Anti blow-out stem.

Supplied with parallel threaded ends complying with BS EN ISO 228-1

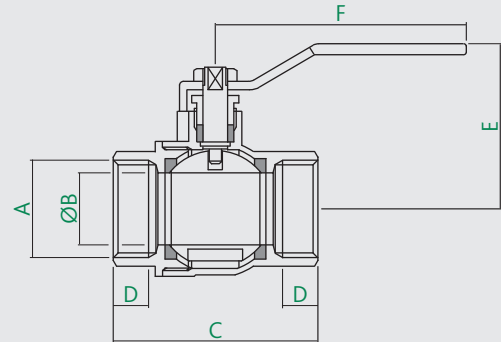
Valve are available with either a red or blue lever sleeve for visual indication of hot or cold service.

## Construction Details

Component	Material	Grade
Body	Brass - nickel plated	BS EN 12165 CW617N
End connection	Brass - nickel plated	BS EN 12165 CW617N
Ball seat	PTFE	
Ball	Brass - chrome plated	BS EN 12164 CW617N
Stem	Brass	BS EN 12164 CW617N
Stem retaining ring	Brass	BS EN 12164 CW617N
Gland packing	PTFE	

Product Code Blue Lever	Product Code Red Lever	Size	Connection
AI-171B02	AI-171R02	¼"	f x f screwed iron
AI-171B03	AI-171R03	3/8"	f x f screwed iron
AI-171B04	AI-171R04	½"	f x f screwed iron
AI-171B05	AI-171R05	¾"	f x f screwed iron
AI-171B06	AI-171R06	1"	f x f screwed iron
AI-171B07	AI-171R07	1¼"	f x f screwed iron
AI-171B08	AI-171R08	1½"	f x f screwed iron
AI-171B09	AI-171R09	2"	f x f screwed iron
AI-171B10	AI-171R10	2½"	f x f screwed iron
AI-171B11	AI-171R11	3"	f x f screwed iron
AI-171B12	AI-171R12	4"	f x f screwed iron

## Dimensions



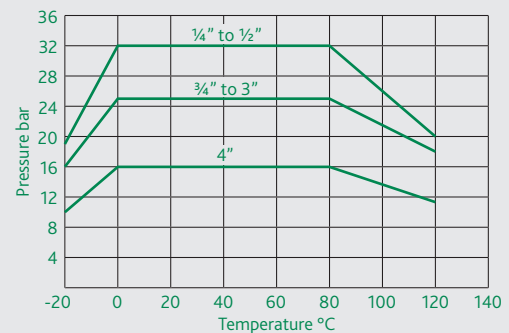
Size	A	B	C	D	E	F	kg
¼"	G¼	10	41.5	9.5	44	90	0.12
3/8"	G3/8	10	41.5	9.5	44	90	0.12
½"	G½	15	50.5	10.5	46.5	90	0.20
¾"	G¾	20	61	12	50	90	0.29
1"	G1	25	71	13.5	62.5	115	0.49
1¼"	G1¼	32	83.5	15.5	72	130	0.80
1½"	G1½	40	93	15.5	78	130	1.30
2"	G2	50	112	19	91.5	150	1.64
2½"	G2½	60	138	26	116	203	3.06
3"	G3	74	161.5	27	132	280	4.80
4"	G4	94	181	28	150	280	7.80

## Technical Data

Conforms to:	BS EN 13547
Max. Temperature:	120°C
Max. Pressure	Sizes ¼" to ½": 32 bar
	Size ¾" to 3": 25 bar
	Size 4": 16 bar

PED directive classification Group 2 Liquids  
 Sizes ½" to 2" SEP, 2½" to 4" Cat I

## Pressure - Temperature Diagram



## Installation

The valves are very simple to install with just two joints to make.

Ensure the valve with the correctly coloured lever sleeve is fitted for the service.

Altecnic Ltd Mustang Drive, Stafford, Staffordshire ST16 1GW

T: +44 (0)1785 218200 E: sales@altecnic.co.uk

Registered in England No: 2095101

altecnic.co.uk

AL 021 25-05-21

E & O.E

© Altecnic Limited. 2021

ALTECNIC™